

314-648F190 Snow Boss 850ST (1994)  
Snow Throwers (Part 1)

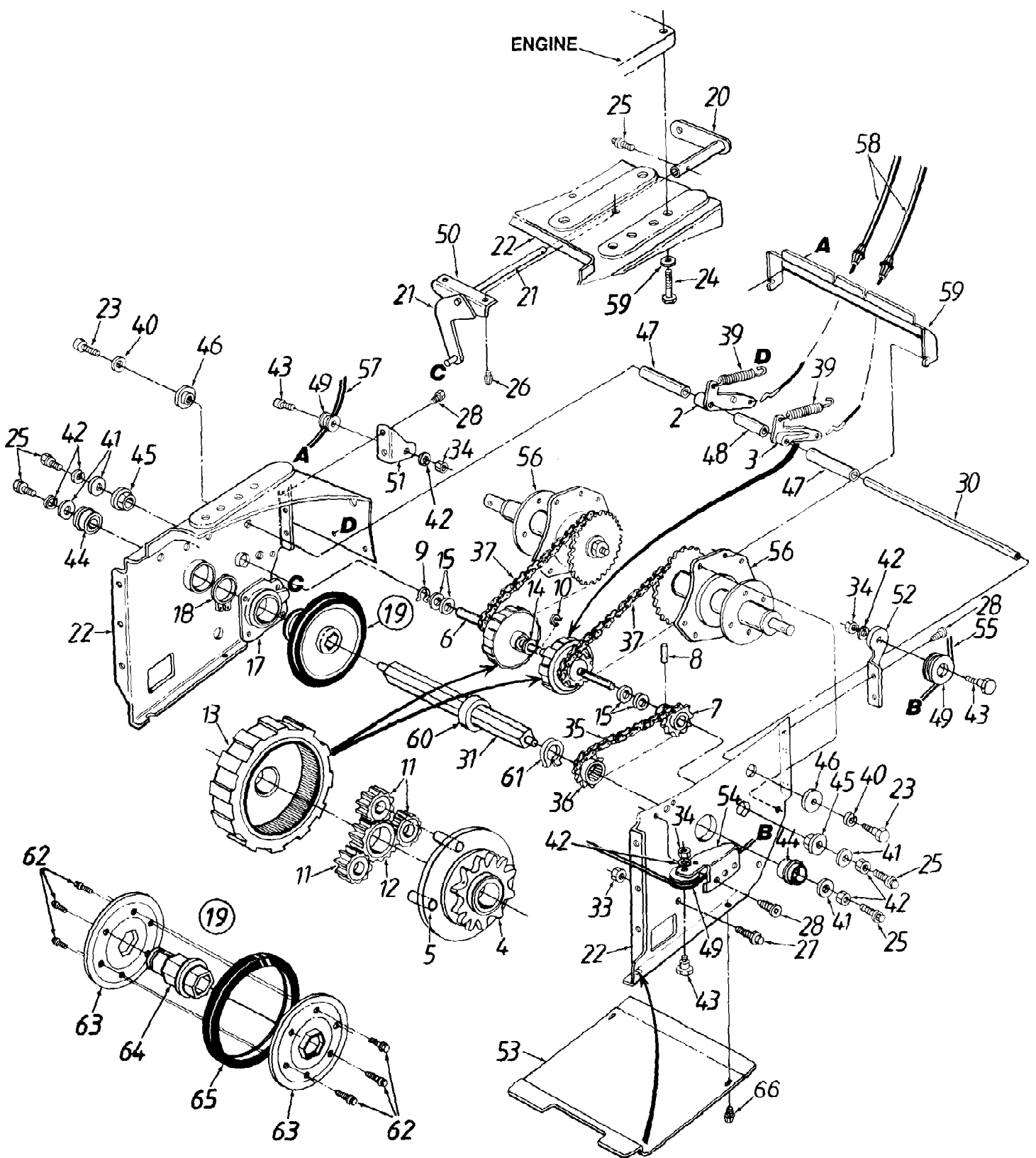
Page 2 of 14

Ref #	Part Number	Qty	S/P/F	Description
1	725-1646	1	S	Lamp Housing w/Lens
2	710-0351	1	/P	Truss Mach. B-Tap Scr. #10 x .5
3	710-0776A	1	S	Hex AB-Tap Scr. 1/4 x .62" Lg.
4	736-0242	1	/P	Bell-Wash. .325" I.D. x .88" O.D.
5	748-0362	1		Cam Handle Lock
6	714-0507	1	S	Cotter Pin 3/32" Dia. x .75" Lg.
7	736-0509	1		Washer (Special) .72" O.D.
8	784-5681	1	/P	Handle Support Brkt.- L.H.
9	784-5682	1	S	Handle Support Brkt.- R.H.
10	732-0145	1	/P	Compression Spring
11	726-0321	1	S	Retaining Clip
13	749-0908	1	S	Handle - R.H.
14	749-0909	1	S	Handle - L.H.
15	712-0271	1	/P	Hex Sems Nut 1/4-20 Thd.
16	684-0036	1	S	Engagement Handle - R.H.
17	684-0037	1	S	Engagement Handle - L.H.
18	748-0363	1	S	Pawl Handle Lock
19	747-0877	1		Rod Cam
20	684-0032A	1		Handle Panel Support
21	710-0599	1	/P	Hex Wash. Hd. TT-Tap Scr. 1/4-20 x .5" Lg.
22	711-0946	1		Clevis Pin .437" Dia. x .65" Lg.
23	712-0116	1	S	Hex Ins. L-Nut 3/8-24 Thd.
24	712-0267	1	S	Hex Nut 5/16-18 Thd.
25	712-0287	1	S/F	Hex Nut 1/4-20 Thd.
26	714-0111	1	S	Cotter Pin 3/32" Dia. x 1" Lg.
27	732-0193	1	/P	Compression Spring
28	735-0199A	1	S	Rubber Bumper
29	736-0105	1	/P	Bell-Wash. .38" I.D. x .88" O.D.
30	736-0119	1	S/F	L-Wash. 5/16" I.D.
32	746-0897	1	S	Auger Clutch Cable
33	746-0898	1	S	Drive Clutch Cable
34	747-0798	1	S	Shift Rod
35	720-0232	1	S	Shift Knob
36	784-0297	1	S	Shift Handle
37	784-5679	1	S	Handle Brkt.- L.H.
38	784-5680	1	S	Handle Brkt.- R.H.
40	736-0264	1	S	FI-Wash. .344" I.D. x .62" O.D.
41	714-0104	1	S	Internal Cotter Pin 5/16" Dia.
42	711-0677	1	S	Ferrule
43	710-0538	1	/P	Hex Bolt 5/16-18 x .62" Lg. (Special)
44	710-3180	1	/P	Hex Bolt 5/16-18 x 1.75" Lg. (Gr. 5)
45	784-5599	1	S	Handle Tab
46	710-1250	1	/P	Curved Carr. Bolt 5/16-18 x 1.5" Lg.
47	731-1347	1		Handle Panel
48	731-1313	1	S	Cable Guide
49	746-0896	1	S	Chute Control Cable
50	746-0901	1	S	Chute Control Cable w/Clip
51	736-0425	1	S	Bell-Wash. .325" I.D. x .93" O.D.
52	784-5604	1	S	Chute Tilt Handle
53	712-0158	1	S	Hex Cent. L-Nut 5/16-18 Thd.
54	746-0900	1	S	Track Steer Cable w/Trigger
55	710-1233	1	/P	Oval C-Sunk Hd. Scr. 10-24 x 1.375" Lg.
56	712-0127	1		#10-24 Thd

314-648F190 Snow Boss 850ST (1994)  
Snow Throwers (Part 1)

Page 3 of 14

Ref #	Part Number	Qty	S/P/F	Description
57	712-0267	1	S	Hex Nut 5/16-18 Thd.
58	736-0271	1	S	Spr. Wash. .32" I.D. x .62" O.D.
59	712-0121	1	S	Hex Nut #10-24 Thd. Incl. w/Ref. 32 & 33
60	725-0157	1	/P	Cable Tie
61	736-0506	1	S	Washer (Special) 1.25" O.D.
62	710-0252	1	/P/F	Hex Bolt 1/4-20 x .85" Lg.
63	736-0270	1	/P	Bell-Wash. .265" I.D. x .75" O.D.
64	725-1645	1	S	Bulb
65	629-0059	1	S	Wire Harness
	777-0733	1		Snow Boss 850ST Label
	777-0019	1		Transport Label
	777-0872	1		Handle Panel Label - Left
	777-0873	1		Handle Panel Label - Center
	777-0874	1		Handle Panel Label - Right

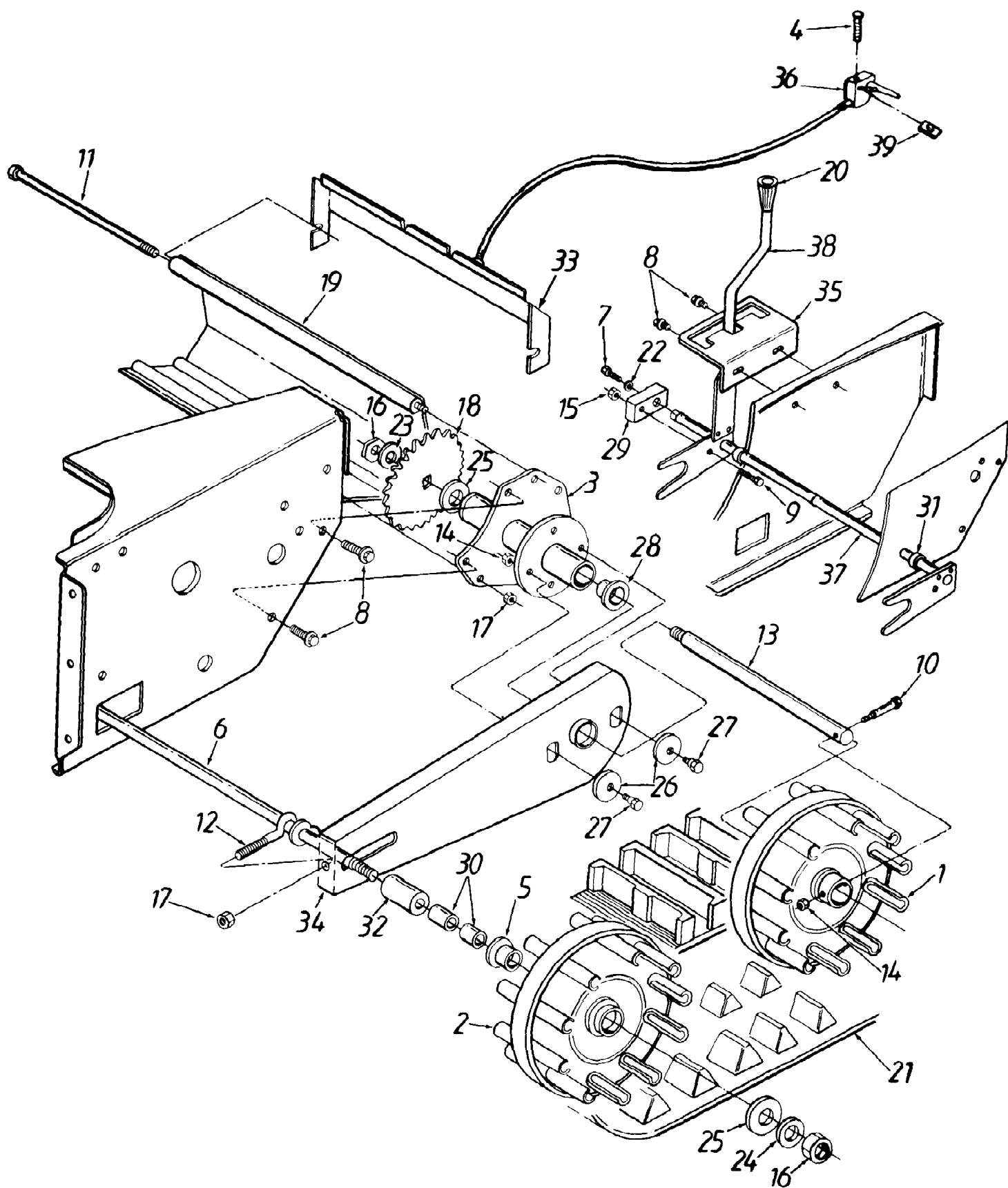


Ref #	Part Number	Qty	S/P/F	Description
2	618-0043	1		R.H. Dog Ass'y.
3	618-0044	1		L.H. Dog Ass'y.
4	718-0188	1	S	Carrier
5	741-0542	1		5/16" Dowel Pin
6	711-0912	1		Drive Shaft
7	713-0411	1		12 Tooth Sprocket
8	715-0247	1	S	Spring Pin 3/16" Dia. x 1" Lg.
9	716-0114	1	S	Snap Ring .56" Dia.
10	716-0115	1	S	Snap Ring .625" Shaft
11	717-1209	1	S	12 Tooth Gear
12	717-1210	1	S	18 Tooth Gear
13	717-1211	1	S	Ring Gear
14	736-0336	1	S	FI-Wash. 5/8" I.D. x 1" O.D.
15	736-0502	1	S	FI-Wash. .57" I.D. x 1.12" O.D.
17	618-0063	1		Friction Wheel Brg. Ass'y.
18	716-0185	1		Retaining Ring 1.375" Dia. Shaft
19	684-0042	1	S	Friction Wheel
20	684-0008	1	S	Shift Arm Ass'y.
21	684-0014	1	S	Shift Rod Ass'y.
22	684-0031	1	S	Frame Ass'y.
23	710-0118	1	S/F	Hex Bolt 5/16-18 x .75" Lg.
24	710-0502A	1	/P	Hex L-Wash. TT-Tap Scr. 3/8-16 x 1.25" Lg.
25	710-0642	1	/P	Hex TT-Tap Scr. 1/4-20 x .75" Lg.
26	710-0653	1	/P	Hex Wash. Hd. Tap Scr. 1/4-20 x .38" Lg.
27	710-0788	1	/P	Hex Wash. TT-Tap Scr. 1/4-20 x 1" Lg.
28	710-1017	1	/P	Torx Mach. AB-Tap Scr. 1/4 x .62" Lg.
30	711-0911	1		Actuator Shaft
31	711-0944	1		Drive Shaft
33	712-0287	1	S/F	Hex Nut 1/4-20 Thd.
34	712-0298	1	S	Hex Jam Nut 1/4-20 Thd.
35	713-0267	1		#420 Chain - 1/2 Pitch x 30 Links (Endless)
36	713-0415	1		11 Tooth Sprocket
37	713-0437	1		#420 Chain - 32 Links (Endless)
39	732-0209	1	S	Extension Spring 2.03" Lg.
40	736-0119	1	S/F	L-Wash. 5/16" I.D.
41	736-0176	1	S	FI-Wash. 1/4" I.D. x .93" O.D.
42	736-0329	1	S/F	L-Wash. 1/4" I.D.
43	738-0870	1		Shld. Bolt 5/16" Dia. x .35" Lg.
44	741-0563	1	S	Ball Brg. w/Snap Ring
45	741-0597	1	S	Hex Flange Bearing
46	748-0234	1	/P	Shld. Spacer .5" Dia. x .27" Lg.
47	750-0903	1	S	Split Shld. Spacer 2.69" Lg.
48	750-0904	1		Split Shld. Spacer 1.77" Lg.
49	756-0625	1		Cable Roller
50	784-5590	1		Shift Brkt. Frame
51	784-5644	1	S	Drive Cable Roller Brkt.
52	784-5646	1		Auger Cable Guide Brkt.
53	784-5648	1		Frame Cover
54	784-5658	1	S	Front Support Brkt. Guide
55	746-0897	1	S	Auger Clutch Cable
56	683-0023	1		Track Hub Ass'y.
57	746-0898	1	S	Drive Clutch Cable
58	746-0900	1		Auger Cable w/Trigger

314-648F190 Snow Boss 850ST (1994)  
Snow Throwers (Part 2)

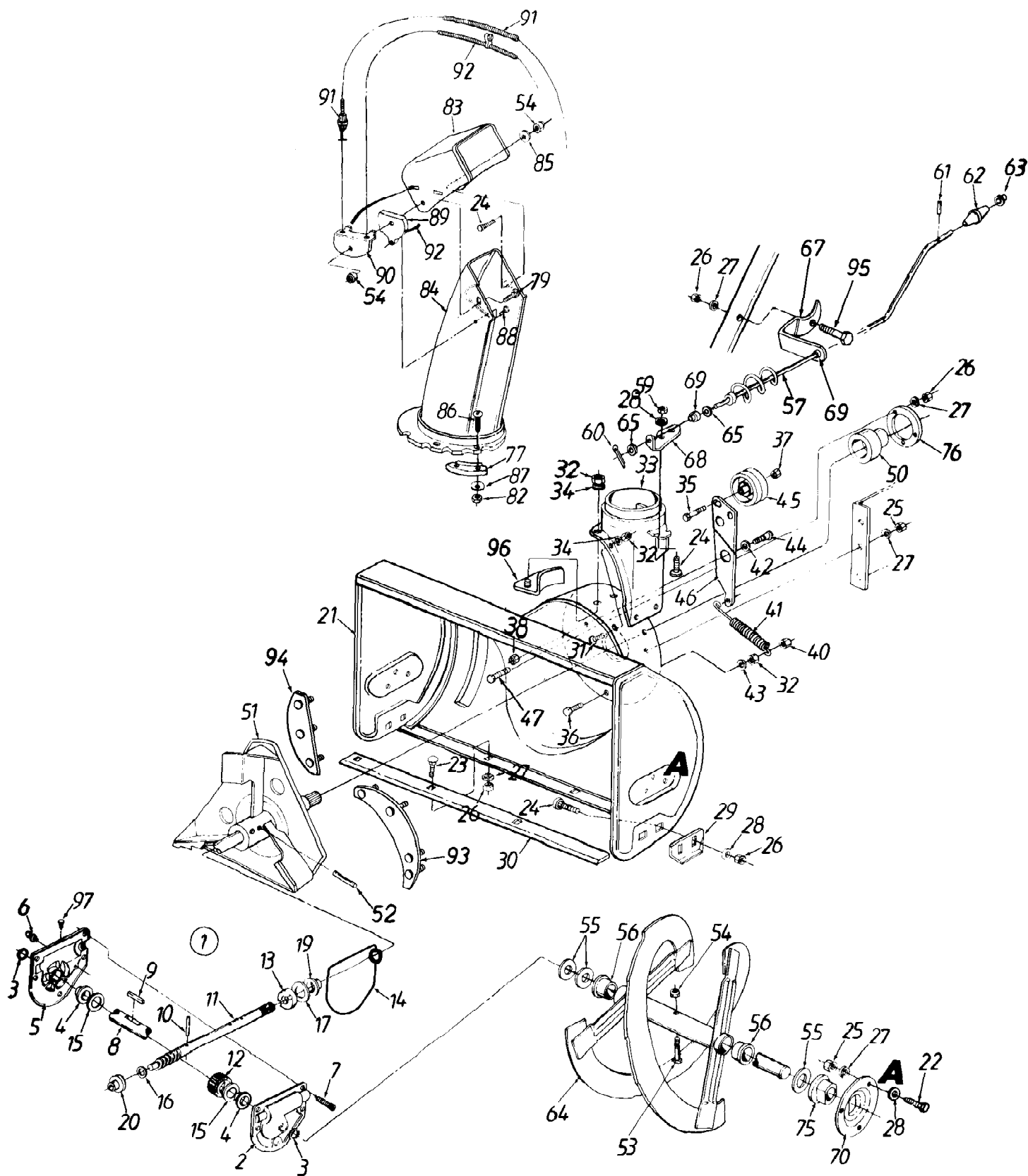
Page 6 of 14

Ref #	Part Number	Qty	S/P/F	Description
59	736-3052	1	/P	Fl-Wash. .406" I.D. x 1" O.D.
60	750-0920	1	S	Spacer 1.02" I.D. x 1.25" O.D.
61	716-0102	1	S	Snap Ring
62	710-0599	1	/P	Hex Wash. Hd. TT-Tap Scr. 1/4-20 x .5" Lg.
63	784-5677	1		Friction Plate
64	718-0240	1		Friction Wheel Hub
65	735-0243	1	S	Friction Wheel Rubber
66	710-3007	1	/P	Hex Wash. Tap Scr. .38" Lg.



Ref #	Part Number	Qty	S/P/F	Description
1	631-0002	1		Drive Wheel Ass'y.
2	631-0004	1	S	Idler Wheel Ass'y.
3	683-0024	1	S	Track Hub Ass'y.
4	710-1233	1	/P	Oval C-Sunk Hd. Scr. 10-24 x 1.375" Lg.
5	741-0339	1	S	Flange Bearing 3/4" I.D. x 15/16" Lg.
6	684-0024	1	S	Idler Axle Ass'y.
7	710-0157	1	/P	Hex Bolt 5/16-24 x .75" Lg.
8	710-0604	1	S	Hex Wash. TT-Tap Scr. 5/16-18 x .62" Lg.
9	710-0459	1	S	Hex Bolt 3/8-24 x 1.5" Lg. (Special)
10	710-1227	1		Bolt 5/16-18 x 1.5" Lg.
11	710-1230	1		Hex Bolt Ass'y. 5/16-18 x 9.81" Lg.
12	710-1231	1		Eyebolt 5/16-18 x 3" Lg.
13	711-0941	1		Drive Axle
14	712-0158	1	S	Hex Cent. L-Nut 5/16-18 Thd.
15	712-0214	1	S	Hex Cent. L-Nut 3/8-24 Thd.
16	712-0346	1	S	Hex Ins. Jam L-Nut 1/2-20 Thd.
17	712-0429	1	S	Hex L-Nut 5/16-18 Thd.
18	713-0115	1		24 Tooth Sprocket
19	719-0295	1	S	Track Housing
20	720-0223	1		Grip
21	731-1292	1		Snow Track
22	736-0119	1	S/F	L-Wash. 5/16" I.D.
23	736-0255	1	S	Bell-Wash. .515" I.D. x 1.14" O.D.
24	736-0257	1	S	FI-Wash. .531" I.D. x 1.25" O.D.
25	736-0287	1	S	FI-Wash. .793" I.D. x 1.24" O.D.
26	736-0406	1	S	FI-Wash. 3/8" I.D. x 7/16" O.D.
27	738-0155	1	S	Shld. Bolt .437" Dia. x .162
28	741-0339	1	S	Flange Bearing 3/4" I.D. x 15/16" Lg.
29	748-0353A	1		Lift Shaft Drive
30	750-0499	1	/P	Spacer.5" I.D. x .78" Lg.
31	750-0547	1		Spacer.628" I D. x .5" Lg.
32	750-0909	1		Spacer.51" I.D. x 1.34" Lg.
33	784-5609	1		Steering Cable Brkt.
34	784-5639	1		Track Side Plate
35	784-5642	1		Track Lockout Plate
36	746-0900	1	S	Track Steer Cable w/Trigger
37	684-0009	1		Track Pivot Rod Ass'y.
38	684-0038	1	S	Track Lock Handle Ass'y.
39	712-0127	1	/P	Flat Weld Nut #10-24 Thd.



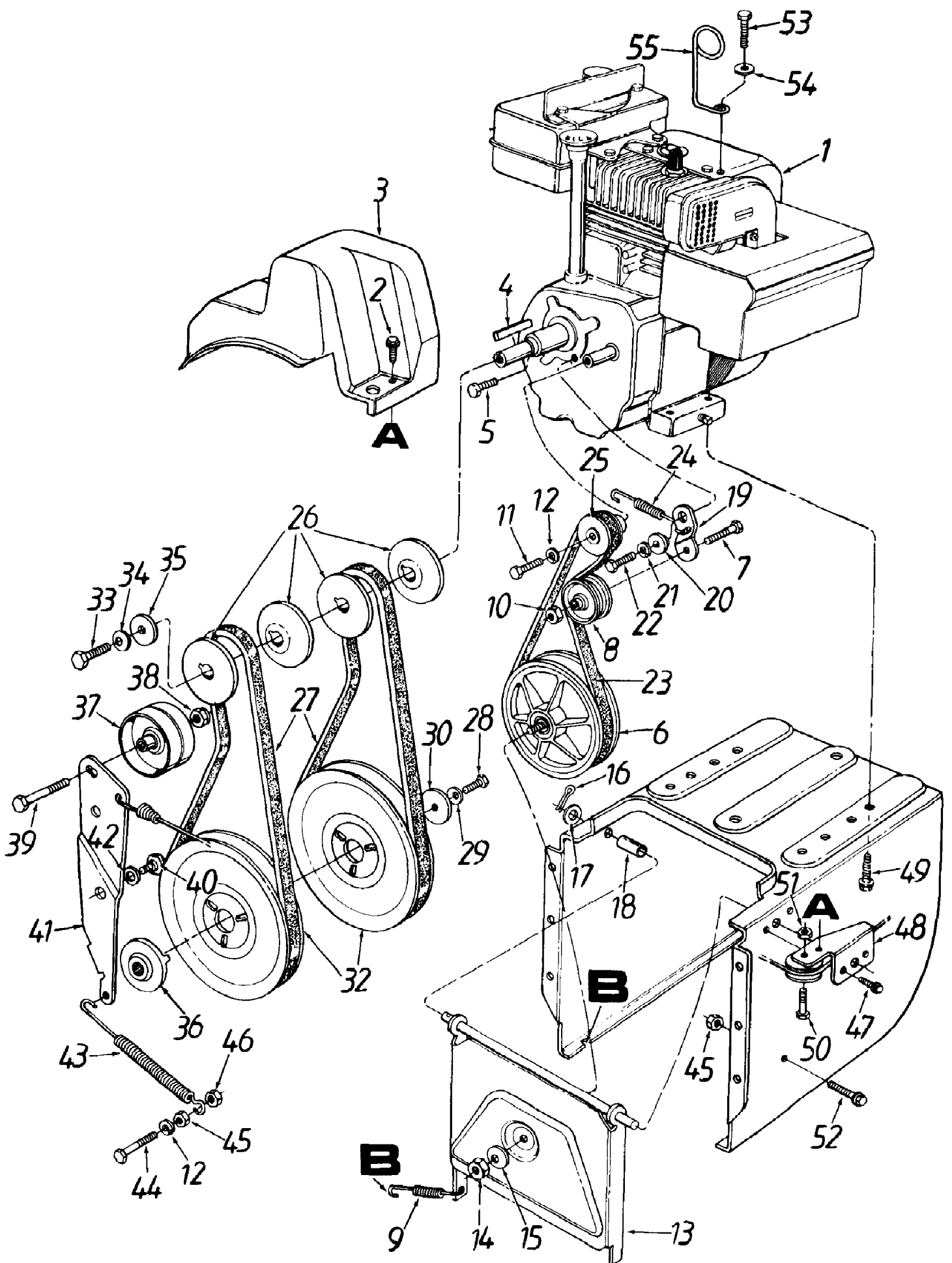


Ref #	Part Number	Qty	S/P/F	Description
1	618-0121	1	S	Worm Drive Ass'y. Comp. Code: N notates a new part (not previously existing).
2	719-0292	1		Reducer Housing - L.H.
3	721-0179	1	S	Oil Seal
4	741-0339	1	S	Flange Bearing .75" I.D.
5	719-0293	1		Reducer Housing - R.H.
6	737-3000	1	S	Grease Fitting
7	710-0642	1	/P	Hex TT-Tap Scr. 1/4-20 x .75" Lg.
8	711-0909	1	S	26" Auger Shaft
9	714-0388	1	S	#61 Hi-Pro Key 3/16" x 5/8" Dia.
10	715-0143	1	S	Spiral Pin 1.25" Lg.
11	717-0526	1		Impeller Shaft
12	717-0528	1	S	Worm Gear
13	718-0186	1		Thrust Collar
14	721-0327	1		"O"-Ring (Special)
15	736-0351	1	S	FI-Wash. .76" I.D. x 1.5" O.D.
16	736-0369	1	S	FI-Wash. .5" I.D. x 1" O.D.
17	736-0445	1	S	FI-Wash. .76" I.D. x 1.49" O.D.
19	741-0376	1	S	Flange Bearing .75" I.D.
20	748-0108	1	S	Flange Bearing .503" I.D.
21	684-0040	1		26" Auger Housing Ass'y.
22	710-0157	1	/P/F	Hex Bolt 5/16-24 x .75" Lg.
23	710-0260	1	S	Carriage Bolt 5/16-18 x .62" Lg.
24	710-0451	1	/P	Carriage Bolt 5/16-18 x .75" Lg.
25	712-0123	1	/P/F	Hex Nut 5/16-24 Thd.
26	712-0267	1	S	Hex Nut 5/16-18 Thd.
27	736-0119	1	S/F	L-Wash. 5/16" I.D.
28	736-0242	1	/P	Bell-Wash. .345" I.D. x .88" O.D.
29	784-5580	1		Slide Shoe
30	784-5579	1	S	26" Shave Plate
31	710-0286	1	/P	Truss Mach. Scr. 1/4-20 x .5" Lg.
32	712-0287	1	S/F	Hex Nut 1/4-20 Thd.
33	731-1379	1	S	Chute Adapter
34	736-0175	1	S	Spring Washer 1/4" I.D.
35	710-0459	1	S	Hex Bolt 3/8-24 x 1.5" Lg. (Gr. 5)
36	710-0812	1		Hex Bolt 1/4-20 x .75" Lg. (Gr. 5)
37	712-0116	1	S	Hex Ins. L-Nut 3/8-24 Thd.
38	712-0181	1	S	Hex Top L-Nut 3/8-16 Thd.
40	712-0291	1	S	Hex L-Nut 1/4-20 Thd.
41	732-0611	1	S	Ext. Spring 3.6" Lg.
42	736-0167	1	S	FI-Wash. 5/8" I.D. x 1.25"
43	736-0329	1	S/F	L-Wash. 1/4" I.D.
44	738-0281	1	S	Shld. Bolt .625" Dia. x .170" Lg.
45	756-0178	1		FI-Idler 2.75" O.D.
46	784-5632	1	S	Auger Idler Brkt.
47	710-1087	1	S	Hex Bolt 5/16-18 x 5/8" Lg.
50	741-0309	1	S	Ball Bearing .75" I.D.
51	705-5187A	1	S	Blower Fan Ass'y.
52	715-0114	1	S	Spiral Pin 1.5" Lg.
53	710-0890	1	S	Shear Bolt 5/16-18 x 1.5" Lg.
54	712-0158	1	S	Hex Cent. L-Nut 5/16-18 Thd.
55	736-0188	1	/P	FI-Wash. .76" I.D. x 1.49"

314-648F190 Snow Boss 850ST (1994)  
Snow Throwers (Part 4)

Page 11 of 14

Ref #	Part Number	Qty	S/P/F	Description
56	741-0493A	1	/P	Flange Bushing .8" I.D.
57	684-0022	1	S	Chute Crank Ass'y.
59	712-0429	1	S	Hex Ins. L-Nut 5/16-18 Thd.
60	714-0507	1	S	Cotter Pin 3/32" Dia. x .75"
61	715-0138	1	S	Roll Pin 1/8" Dia. x .63" Lg.
62	720-0201A	1	/P	Chute Crank Knob
63	726-0100	1	S	Push Nut
64	705-5193	1	S	Spiral Ass'y. - L.H.
	705-5192	1	S	Spiral Ass'y. - R.H. Not shown
65	736-0140	1	S	FI-Wash. .385" I.D. x .62" O.D.
67	784-5678	1		Upper Chute Crank Brkt.
68	784-5647	1	S	Lower Chute Crank Brkt.
69	741-0475	1	S	Plastic Bushing .38" I.D.
70	05845A	1	S	Bearing Housing
75	741-0300	1	S	Plastic Bearing w/Flats
76	05931	1	S	Bearing Housing
77	731-0851	1	S	Chute Flange Keeper
79	710-0262	1	/P	Carriage Bolt 5/16-18 x 1.5" Lg.
82	712-0107	1	S	Hex L-Nut 1/4-20 Thd.
83	731-1320	1	S	Upper Chute
84	731-1300	1	S	Lower Chute
85	736-0231	1	S	FI-Wash. .344" I.D. x 1.125"
86	710-0255	1	S	Truss Mach. Scr. 1/4-20 x .75" Lg.
87	736-0142	1	S	FI-Wash. 1/4" I.D.
88	710-0776A	1	S	Hex AB-Tap Scr. 1/4 x .62" Lg.
89	731-1313	1	S	Cable Guide
90	784-5594	1		Cable Bracket
91	746-0896	1	S	Chute Control Cable
92	746-0901	1	S	Chute Control Cable w/Clip
93	684-0045	1	S	Plate Reinforcement Ass'y. - L.H.
94	684-0046	1		Plate Reinforcement Ass'y. - R H.
95	710-0442	1	S	Hex Bolt 5/16-18 x 1.5" Lg.
96	705-5225	1	/P	Chute Reinforcement Code: N notates a new part (not previously existing).
97	721-0325	1		Plug



Ref #	Part Number	Qty	S/P/F	Description
1		1		Engine
2	710-0599	1	/P	Hex Wash. Hd. TT-Tap Scr. 1/4-20 x .5" Lg.
3	731-1324	1		Belt Cover
4	714-0133	1	S	Sq.-Key 3/16 x 1.5" Lg.
5	710-3166	1	S	Hex Patch Bolt 5/16-24 x 1" Lg. (Gr. 5)
6	656-0009	1	S	Friction Wheel Disc Ass'y.
7	710-0342	1	S	Hex Bolt 3/8-16 x 1.25" Lg.
8	756-0313	1	/P	FI-Idler 2.12" O.D.
9	732-0264	1	S	Ext. Spring 2.5" Lg.
10	712-0181	1	S	Hex Top L-Nut 3/8-16 Thd.
11	710-0230	1	/P	Hex Bolt 1/4-28 x .5" Lg.
12	736-0329	1	S/F	L-Wash. 1/4" I.D.
13	684-0021	1	S	Friction Wheel Support Brkt. Ass'y.
14	712-0711	1	/P	Hex Jam Nut 3/8-24 Thd.
15	736-0105	1	/P	Bell-Wash. .38" I.D. x .88" O.D.
16	714-0474	1	S	Cotter Pin 1/8" x .75" Lg.
17	736-0160	1	S	FI-Wash. .531" I.D. x .93" O.D.
18	748-0190	1	/P	Spacer.508" I.D. x .75" O.D.
19	05896	1		Drive Clutch Idler Bracket
20	748-0234	1	/P	Shld. Spacer .5" Dia. x .27" Lg.
21		1		UNKNOWN
22	710-0604	1	S	Hex Wash. Hd. Tap Scr. 5/16-18 x .62" Lg.
23	754-0346	1	S	"V"-Belt
24	732-0710	1	S	Extension Spring
25	756-0959	1	S	2" Dia. Pulley
26	756-0569	1		3/8 "V"-Pulley Half
27	754-0430	1	S	"V"-Belt
28	710-0627	1	/P	Hex Cap L-Bolt 5/16-24 x .75" Lg.
29	736-0242	1	/P	Bell-Wash. .345" I.D. x .88" O.D.
30	736-0505	1		FI-Wash. .34" I.D. x 1.5" O.D.
32	756-0967	1		Auger Pulley
33	710-0696	1	/P	Hex Bolt 3/8-24 x .88" Lg.
34	736-0331	1	/P	Bell-Wash. .39" I.D. x 1.13" O.D.
35	736-0247	1	/P	FI-Wash. .406" I.D. x 1.25" O.D.
36	748-0360	1	S	Adapter Pulley
37	756-0178	1		FI-Idler 2.75" O.D.
38	712-0116	1	S	Hex Ins. L-Nut 3/8-24 Thd.
39	710-0459	1	S	Hex Bolt 3/8-24 x 1.5" Lg. (Gr. 5)
40	738-0281	1	S	Shld. Bolt .625" Dia. x .170" Lg.
41	784-5632	1	S	Auger Idler Brkt.
42	736-0174	1	/P	Wave Wash. .66" I.D. x .88"
43	732-0611	1	S	Ext. Spring 3.6" Lg.
44	710-0812	1		Hex Bolt 1/4-20 x .75" Lg. (Gr. 5)
45	712-0287	1	S	Hex Nut 1/4-20 Thd.
46	712-0291	1	S	Hex L-Nut 1/4-20 Thd.
47	710-1017	1	/P	Torx Mach. AB-Tap Scr. 1/4 x .62" Lg.
48	784-5658	1	S	Front Support Brkt. Guide
49	710-0502	1	S	Hex L-Wash. TT-Tap Scr. 3/8-16 x 1.25" Lg.
50	738-0870	1		Shld. Bolt 5/16" Dia. x .35" Lg.
51	712-0298	1	S	Hex Jam Nut 1/4-20 Thd.
52	710-0788	1	/P	Hex Wash. Hd. TT-Tap Scr. 1/4-20 x 1" Lg.
53	710-0602	1	/P	Hex Wash. Hd. Tap Scr. 5/16-18 x 1" Lg.
54	736-0159			FI-Wash. .345" I.D. x .879" O.D.

314-648F190 Snow Boss 850ST (1994)  
Snow Throwers (Part 5)

Page 14 of 14

---

Ref #	Part Number	Qty	S/P/F	Description
55	732-0705	1		Cable Control Wire

---